



天河水务

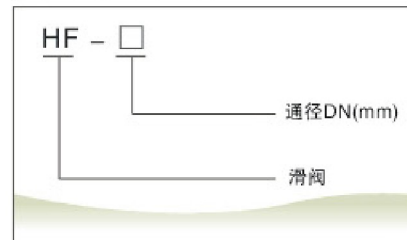
## HF 型滑阀 TYPE-HF SLIDING GATE

### ● 用途 Applications

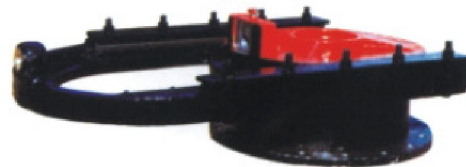
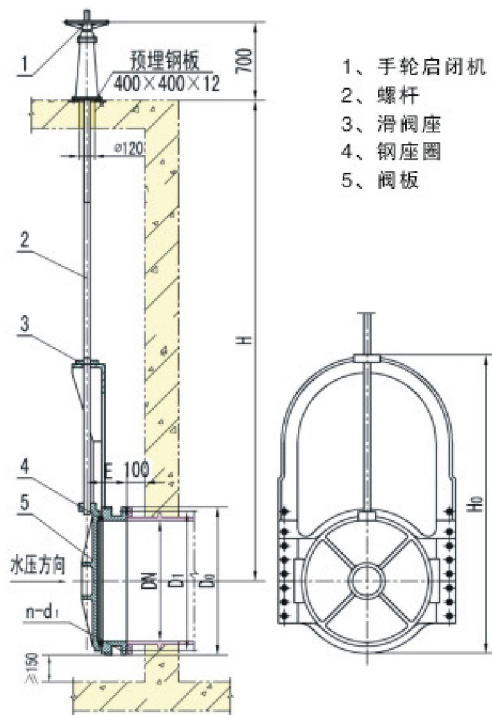
滑阀可安装于各种水池或水井的管道上，功能同于铸铁镶铜闸门，滑阀为手动操作，单向受压，密封材质为铜合金，防腐、耐磨，密封可靠。

Sliding gate is set on various pond or well pipes, it has the same function as cast iron brass trimmed gate. This gate is operated by hand with one-way pressure, acid-bronze alloy, the good sealing material, and resistance to abrasion and corrosion and sealing reliable.

### ● 型号示例 Type and Its Indication



### ● 外型尺寸 Shape and Size



### ● 订货说明 Requirements for Order

1. 订货时应注明型号规格，并注明H，不注明按3m供货。
2. 本设备包含手轮启闭装置，若用户需改用手电两用启闭机请参见相关样本，并注明。
3. 本设备与穿墙管连接法兰尺寸见表所示，本公司亦可按用户标准生产。

1. Note types, specifications and H when order. Does not indicate the supply by 3m.
2. The Device has supplied hand wheel switch, when the customers require adding the electric switch, which makes the switch can be operated by either hand wheel or electricity, please refer to the related samples and note specially when order.
3. The chart has listed the size of the Device pipes through walls and connected flanges. We can manufacture the devices according to the standards supplied by the customers too.

尺寸	型号	HF 300	HF400	HF600	HF800	HF1000	HF1200
DN		Φ 300	Φ 400	Φ 600	Φ 800	Φ 1000	Φ 1200
D <sub>0</sub>		Φ 440	Φ 565	Φ 780	Φ 1015	Φ 1175	Φ 1405
D <sub>1</sub>		Φ 400	Φ 515	Φ 725	Φ 950	Φ 1120	Φ 1340
H		1500-5000			2000-5000		
H <sub>0</sub>		865	1065	1490	2225	2305	2600
E		242	254	295	400	345	355
n-d1		12-Φ23	16-Φ26	20-Φ30	24-Φ34	28-Φ30	32-Φ34